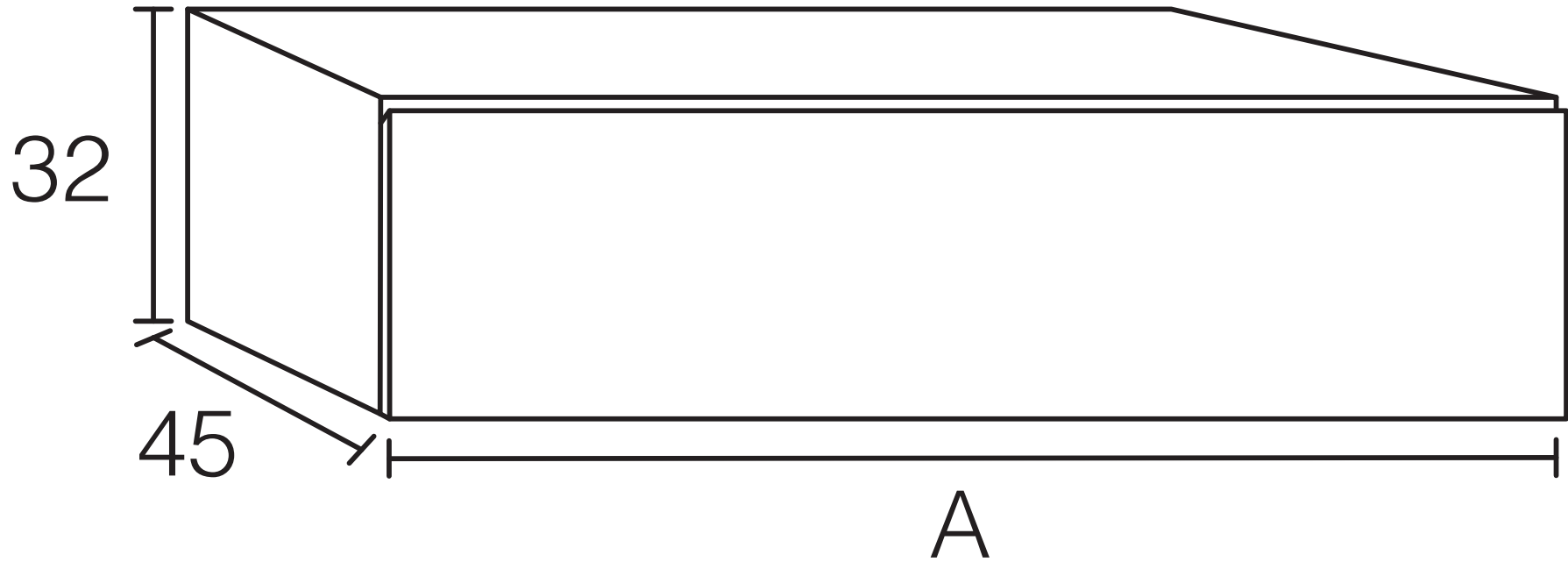


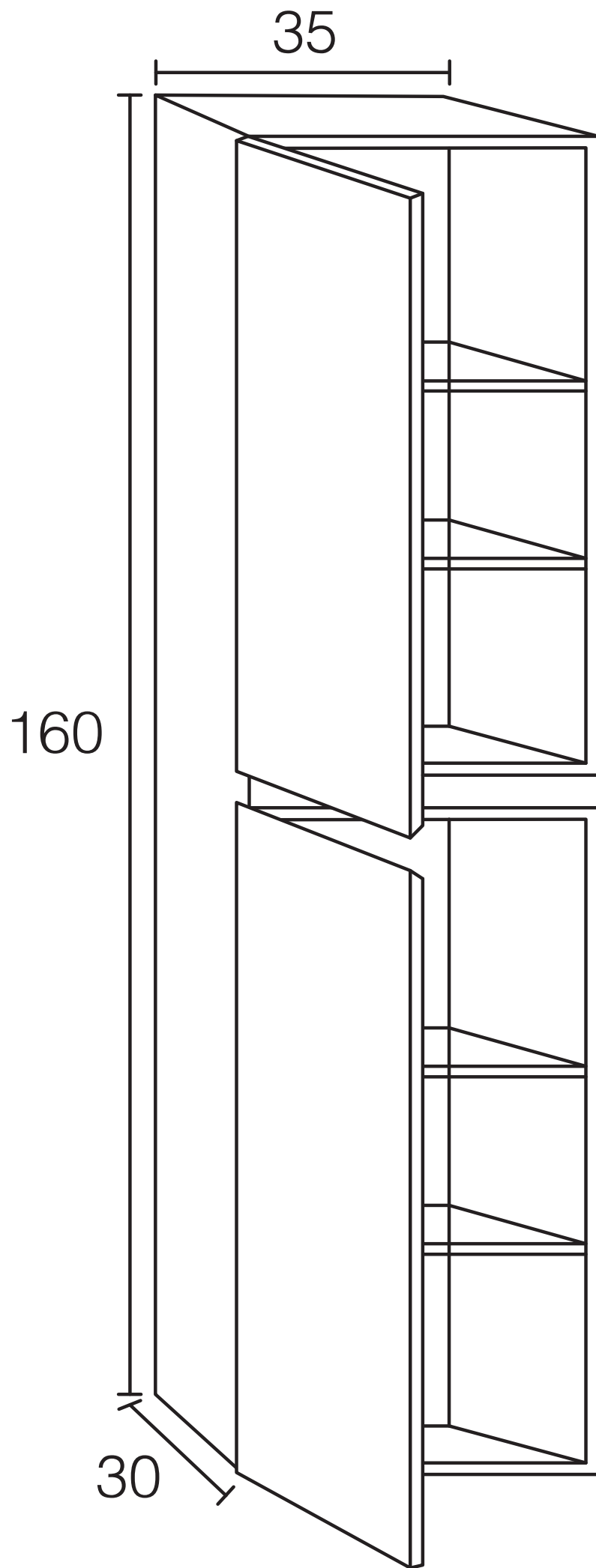
$A_1 - A_2$

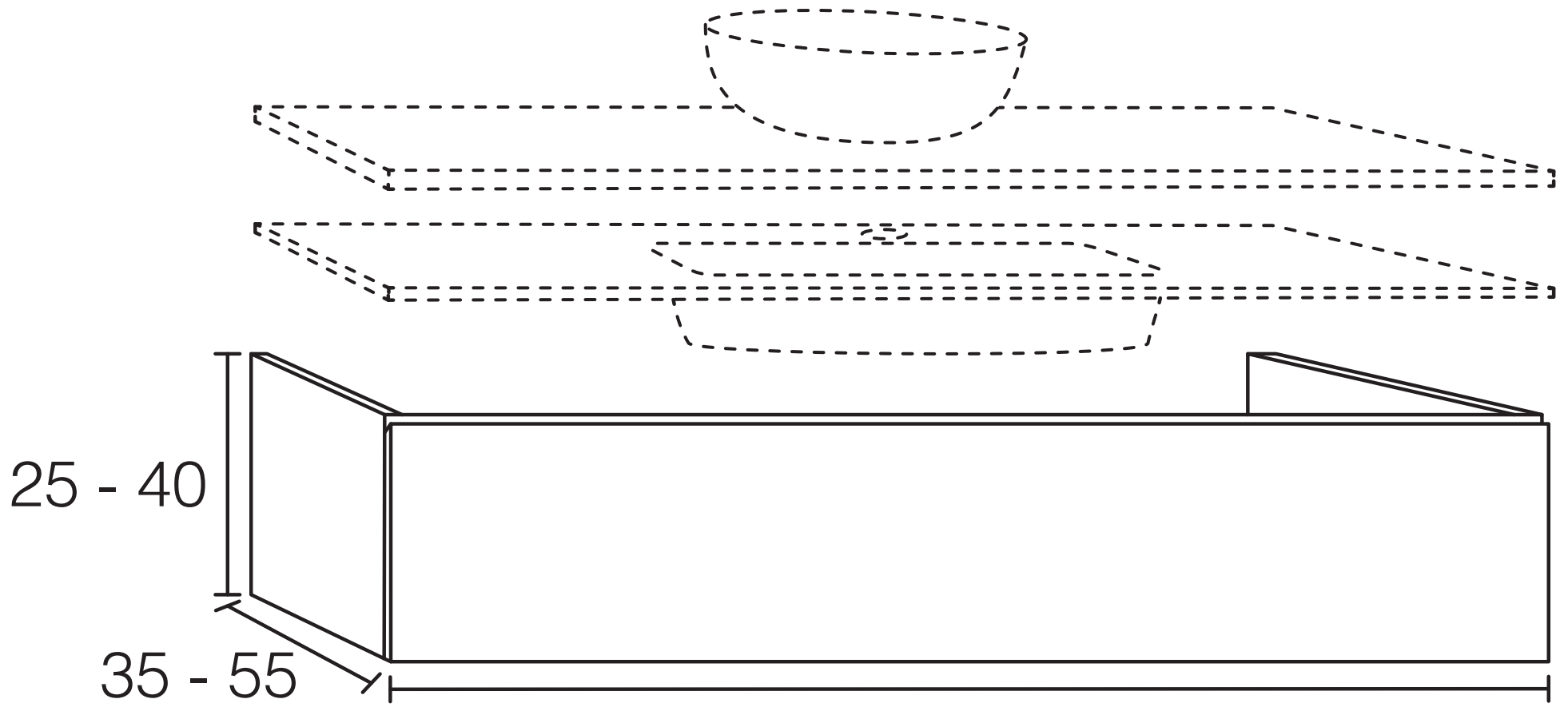
A_1	50 - 80
A_2	80 - 140





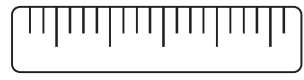
A	60	80	100	120
---	----	----	-----	-----

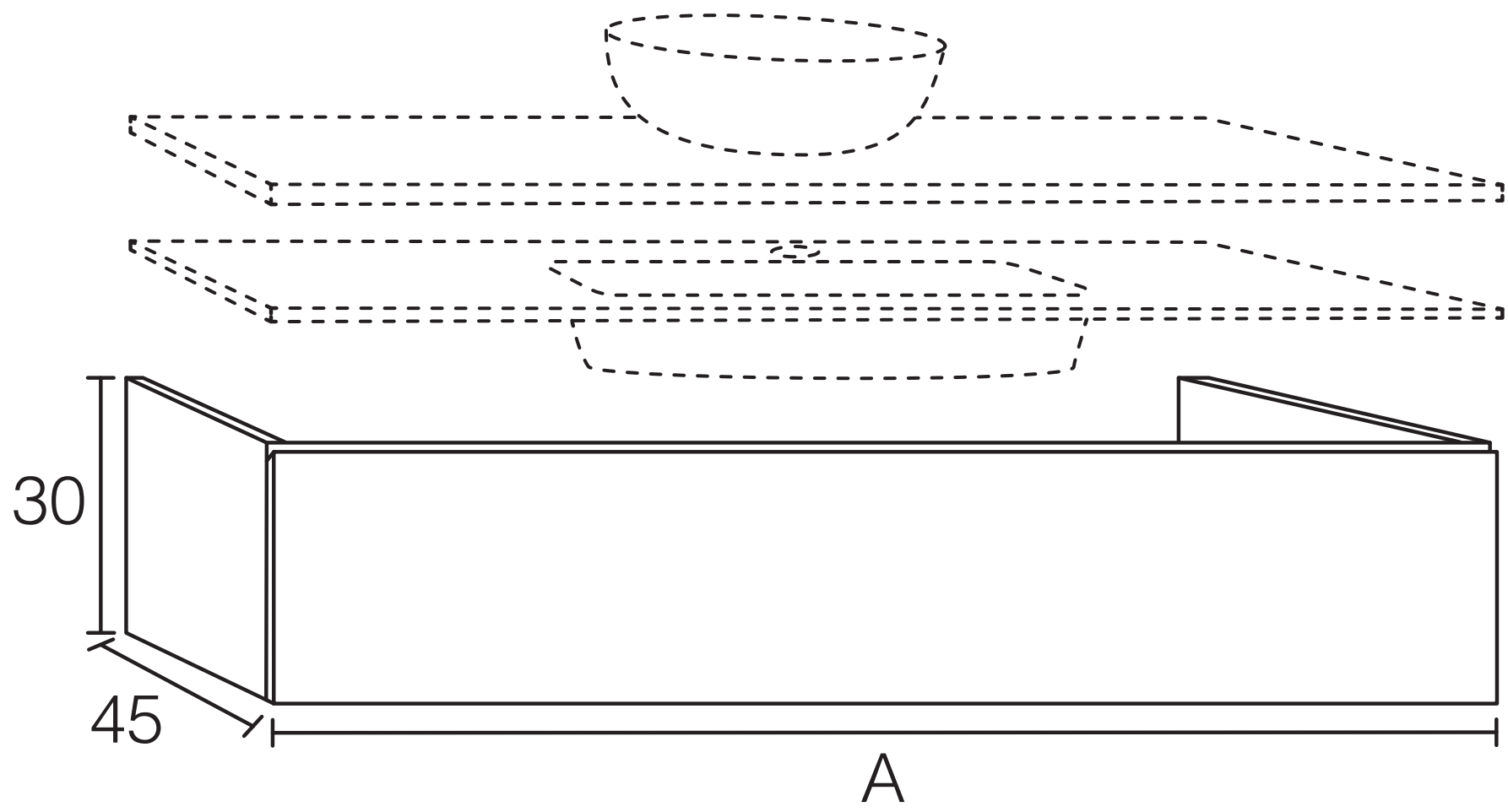




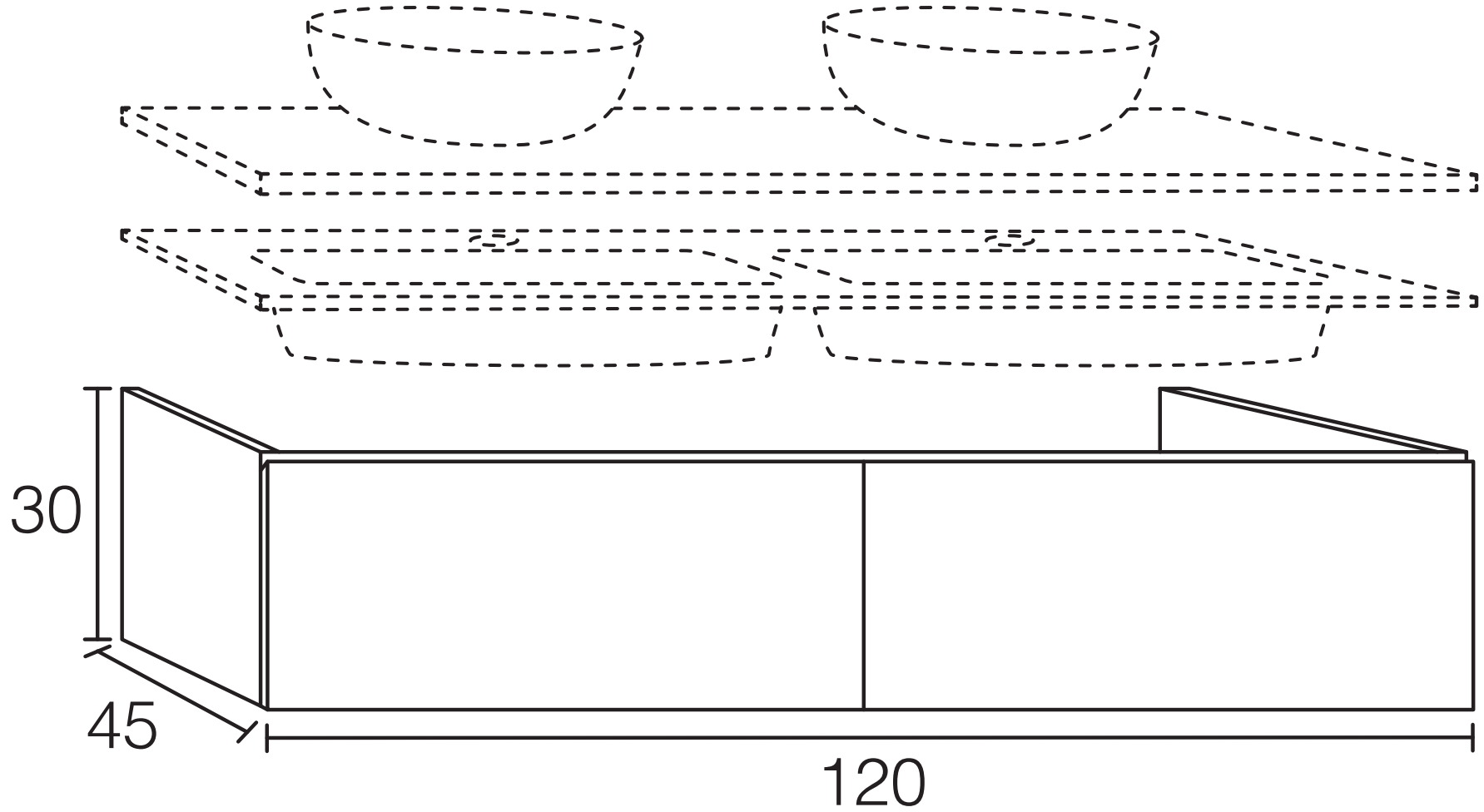
$A_1 - A_2$

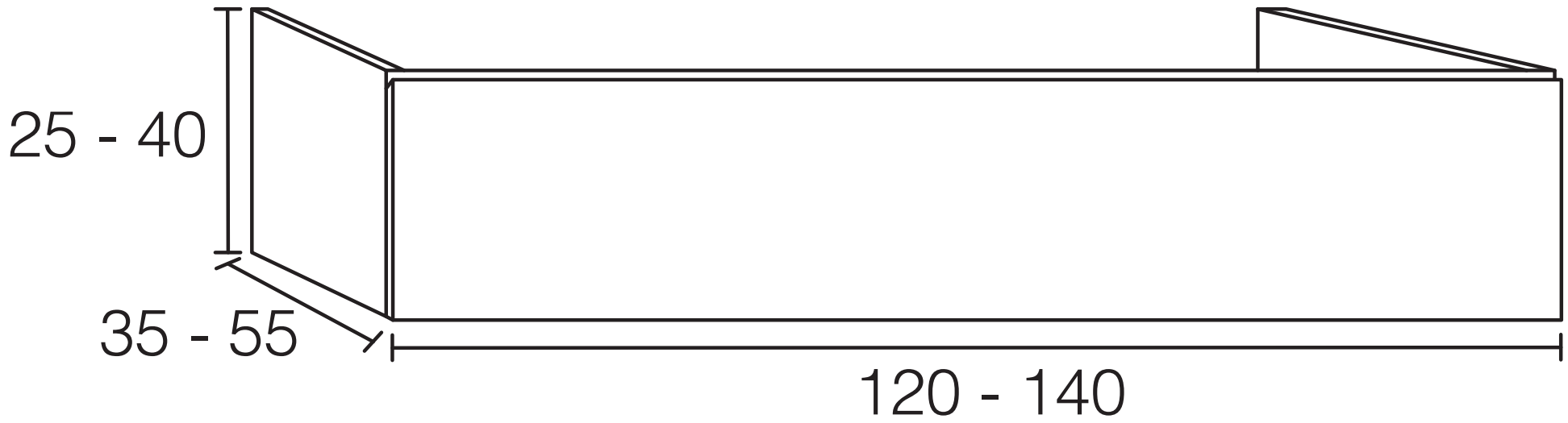
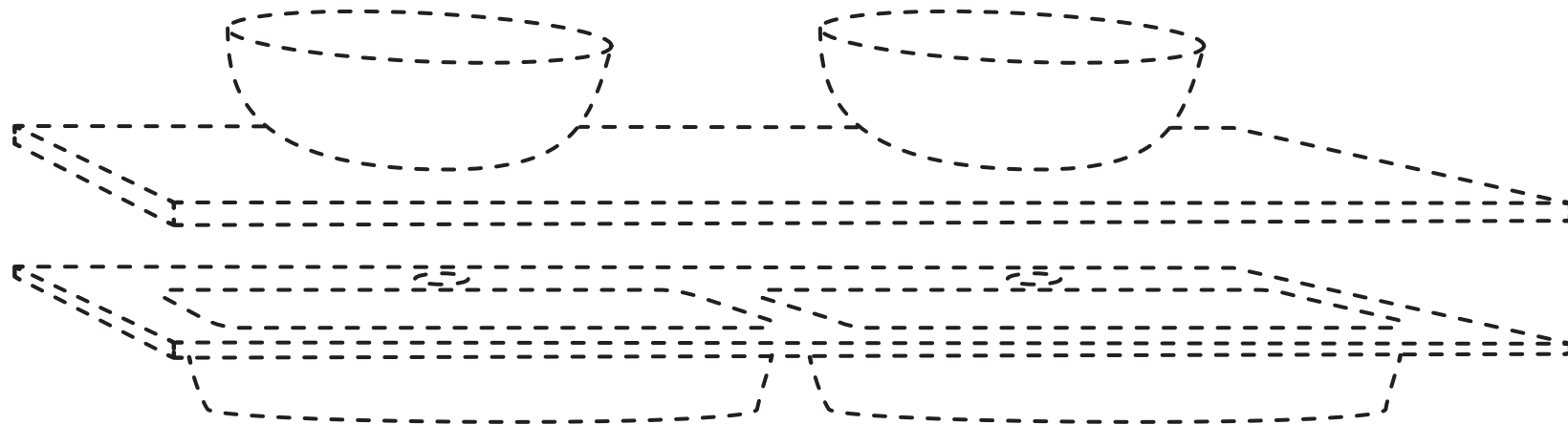
A_1	50 - 80
A_2	80 - 140





A	60	80	100	120
---	----	----	-----	-----

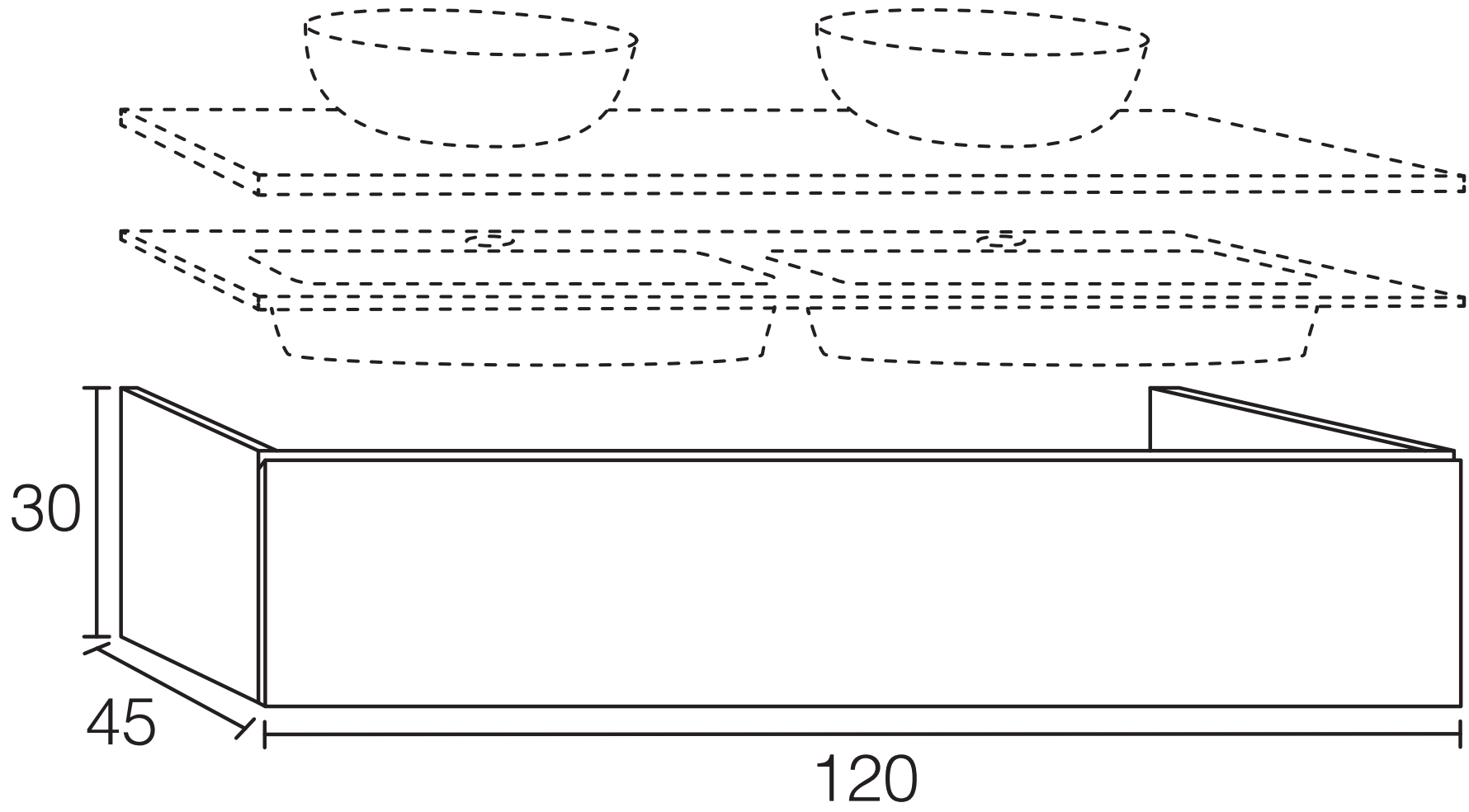


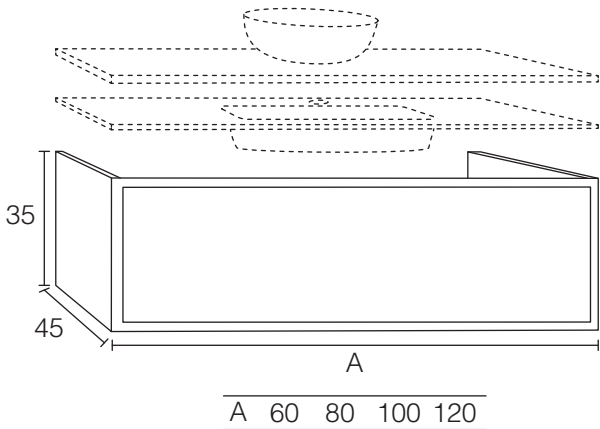


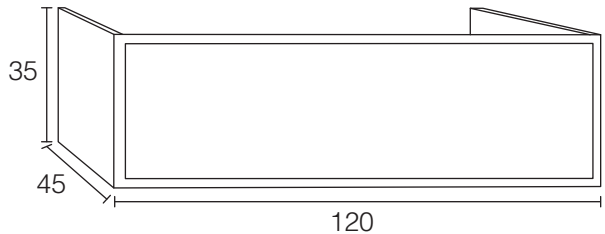
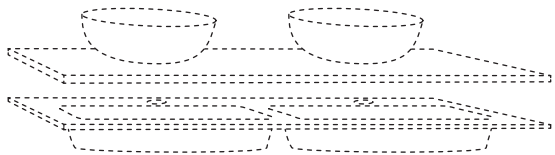
25 - 40

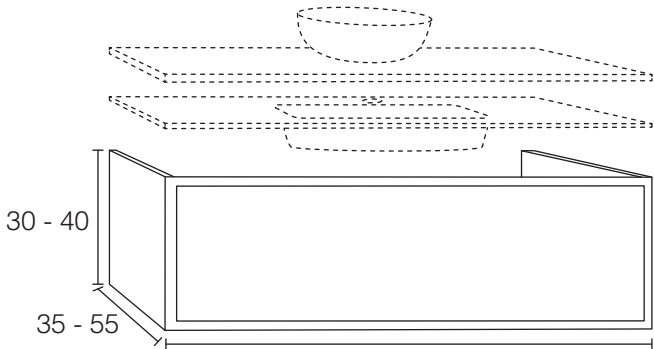
35 - 55

120 - 140







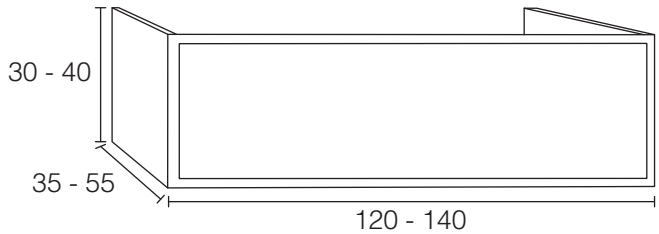
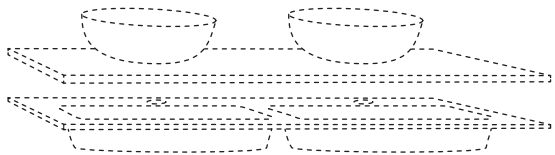


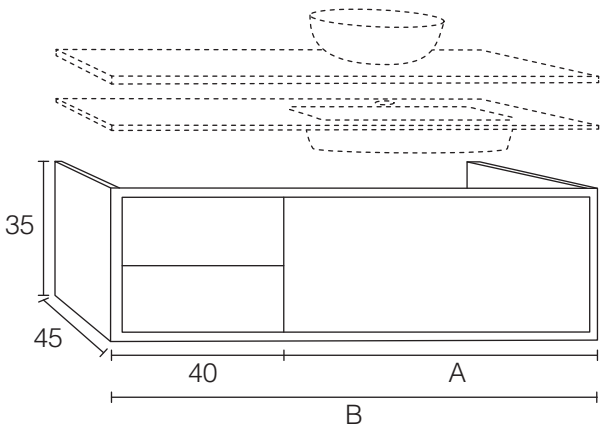
$A_1 - A_2$

A_1 50 - 80

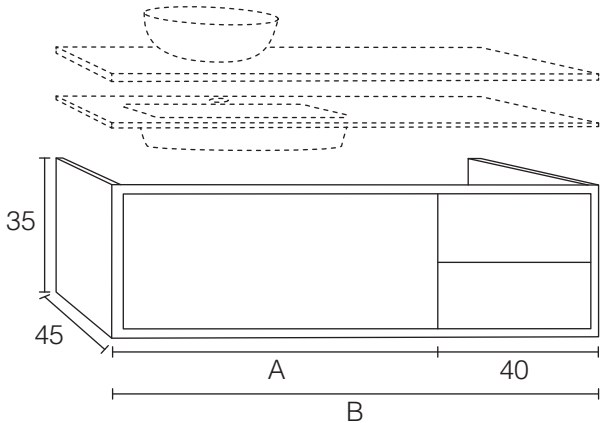
A_2 80 - 140



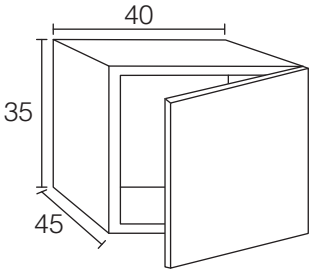


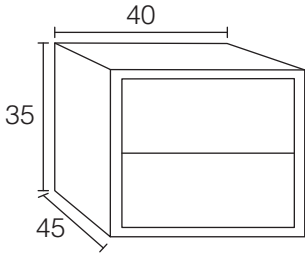


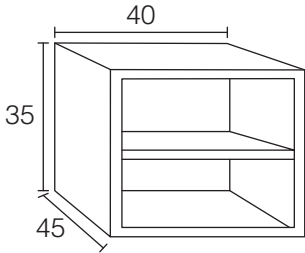
A	60	80	100
B	100	120	140



A	60	80	100
B	100	120	140





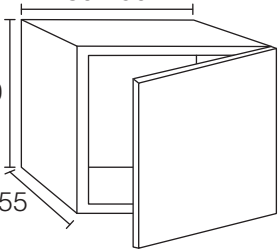


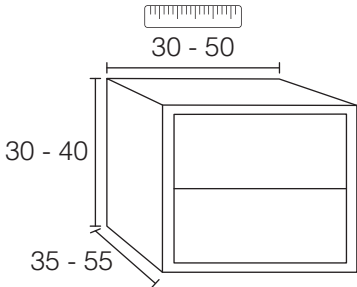


30 - 50

30 - 40

35 - 55



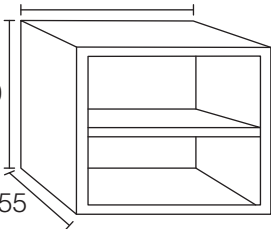


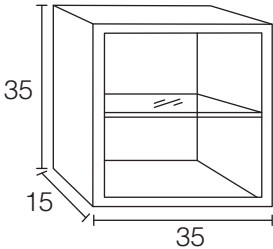


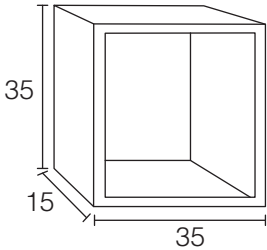
30 - 50

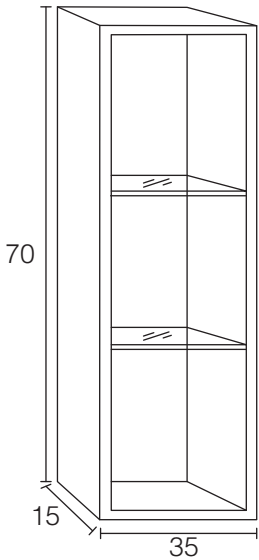
30 - 40

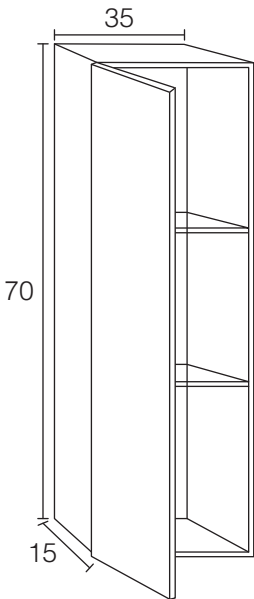
35 - 55

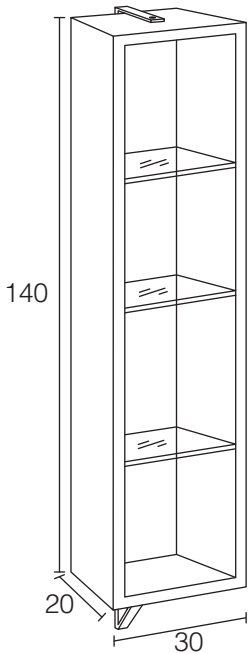


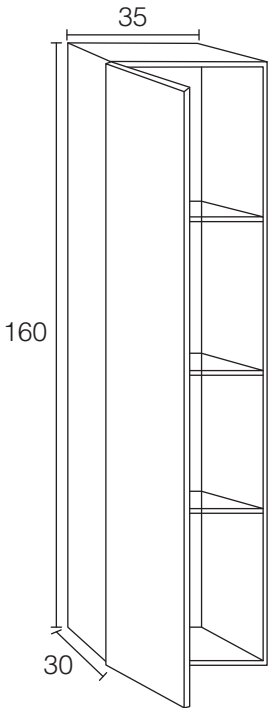


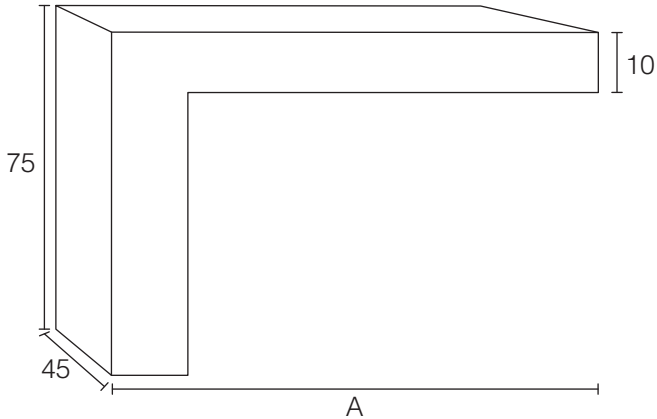




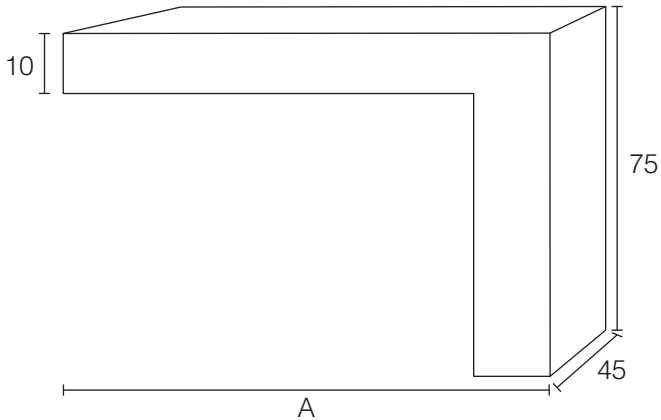




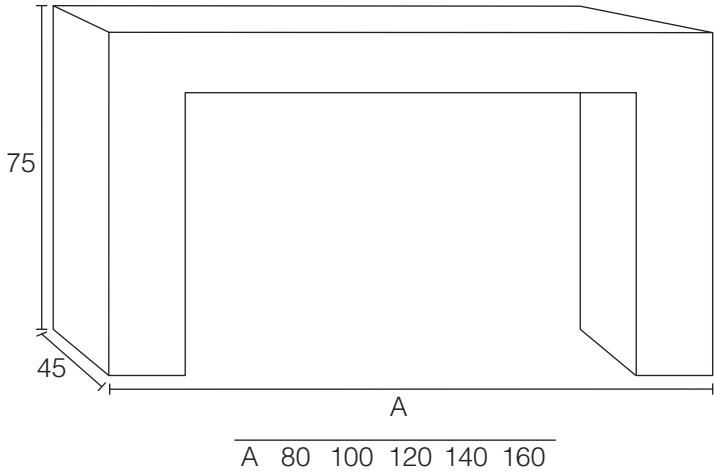


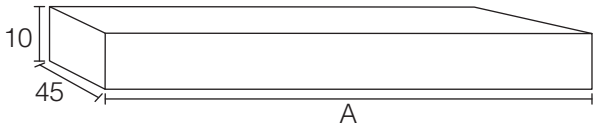


A 80 100 120 140

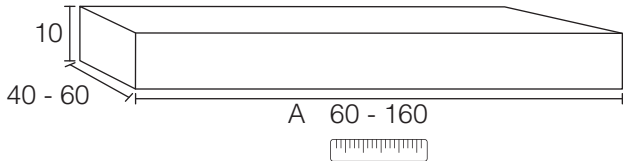


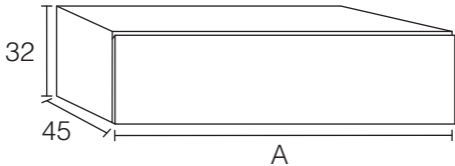
A 80 100 120 140



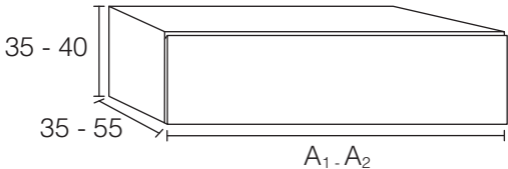


A 60 80 100 120 140 160



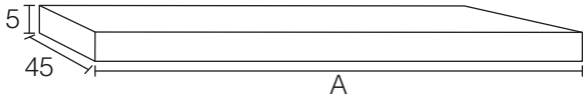


A 60 80 100 120

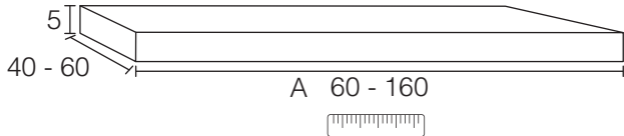


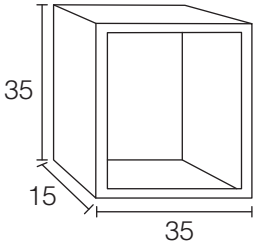
A_1	50 - 80
A_2	80 - 140

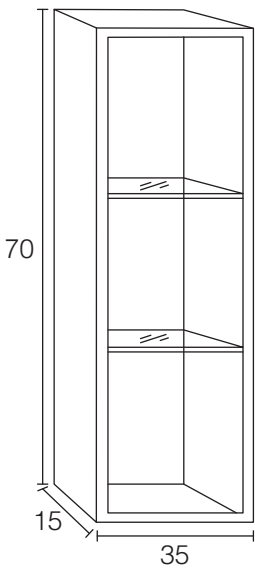


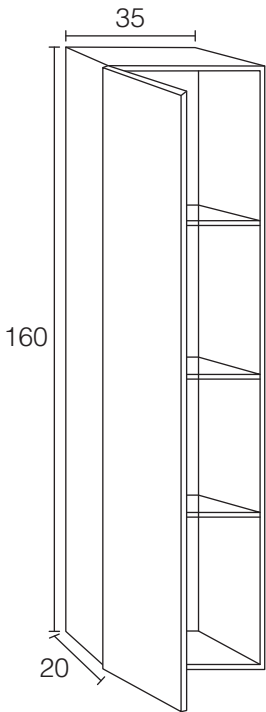


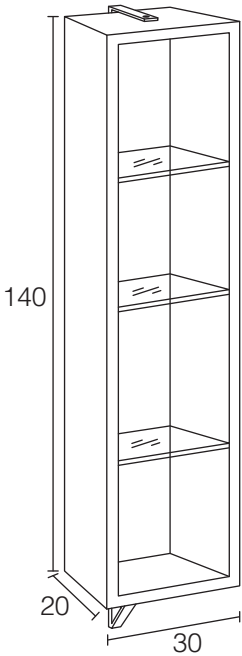
A	60	80	100	120	140	160
-----	----	----	-----	-----	-----	-----

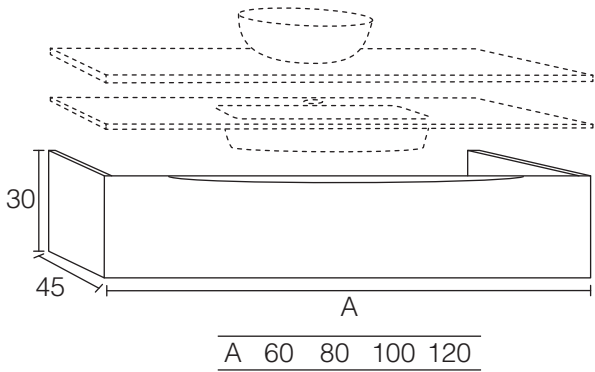


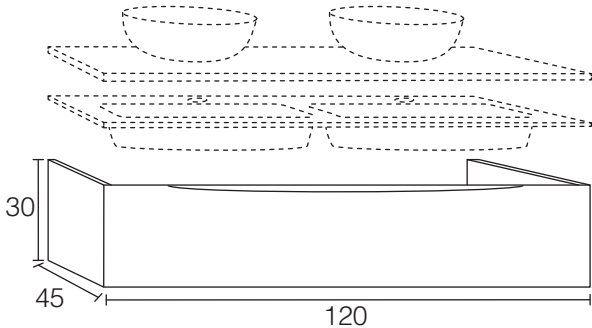


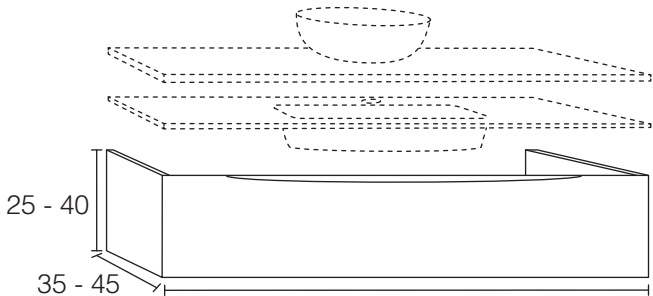








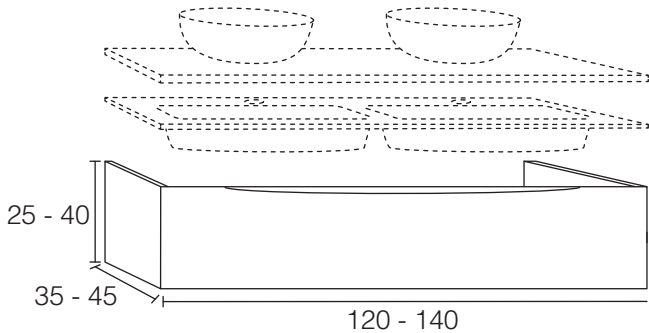


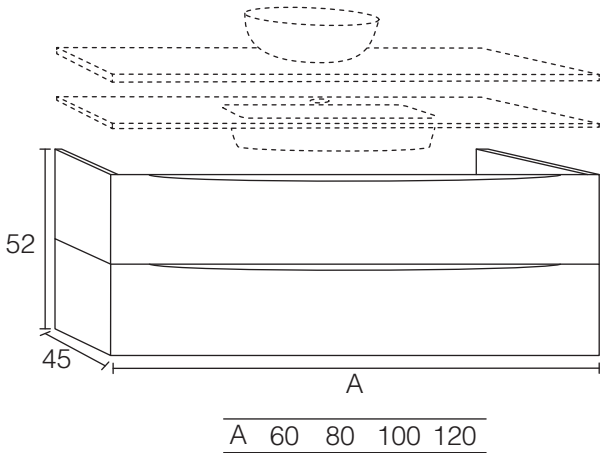


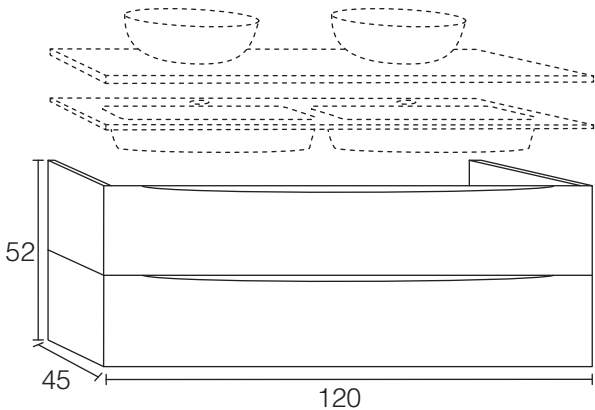
$A_1 - A_2$

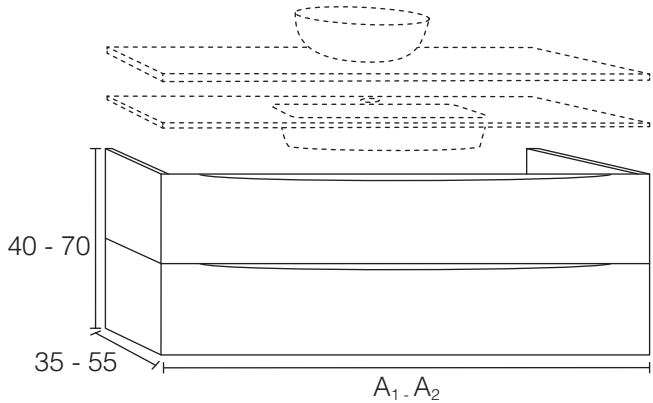
A_1	50 - 80
A_2	80 - 140





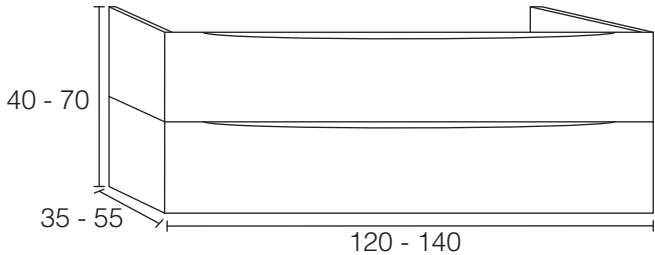
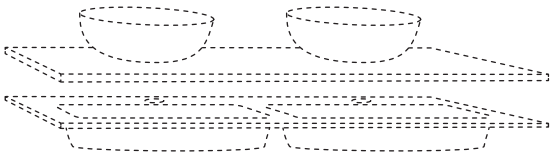


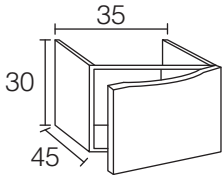


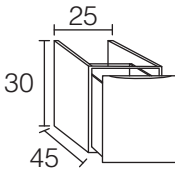


A_1	50 - 80
A_2	80 - 140







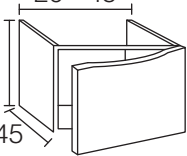


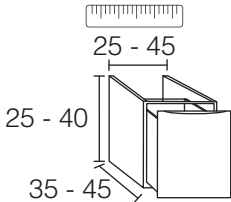


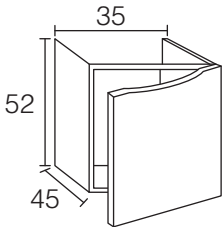
20 - 45

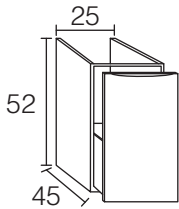
25 - 40

35 - 45







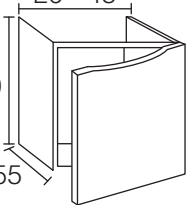




20 - 45

40 - 70

35 - 55

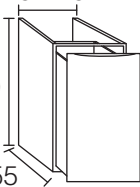


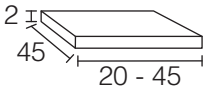


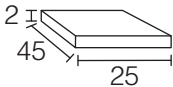
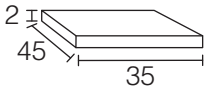
25 - 45

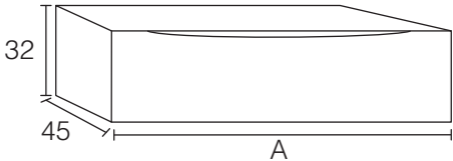
40 - 70

35 - 55

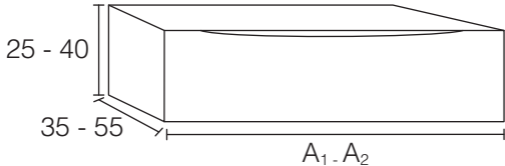






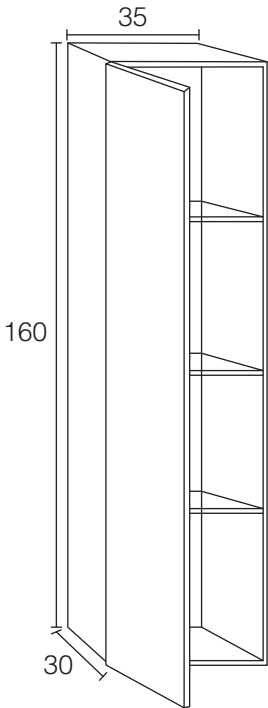


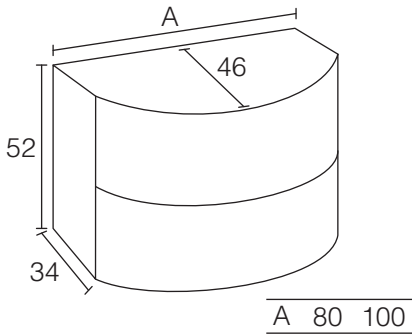
- | | | | | |
|---|----|----|-----|-----|
| A | 60 | 80 | 100 | 120 |
|---|----|----|-----|-----|

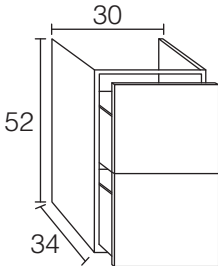


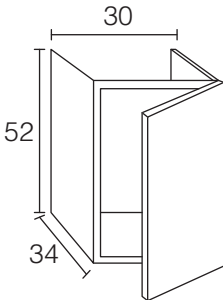
A_1	50 - 80
A_2	80 - 140

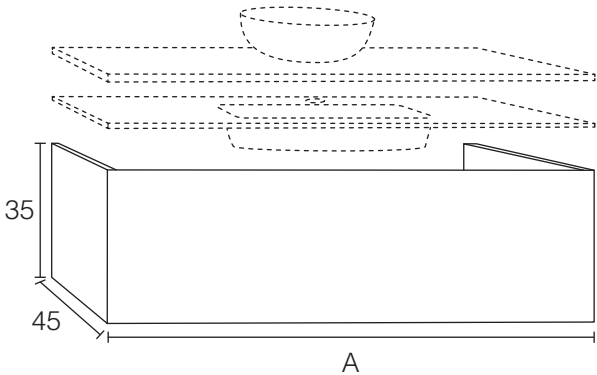




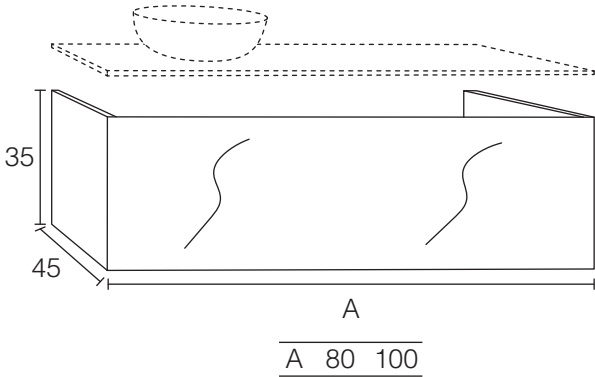


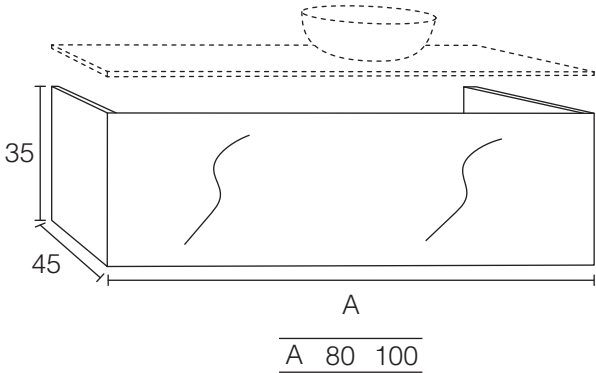


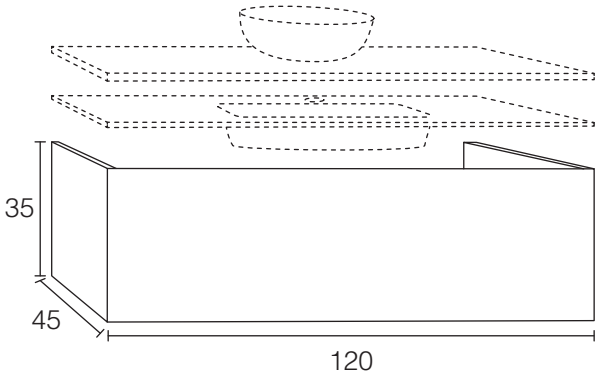


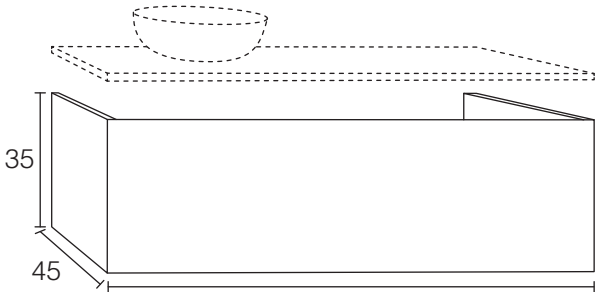


A 60 80 100 120



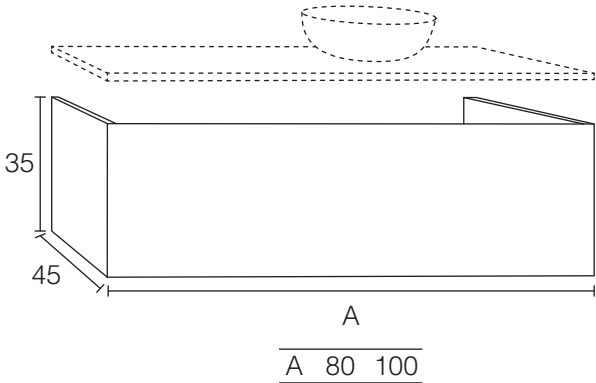


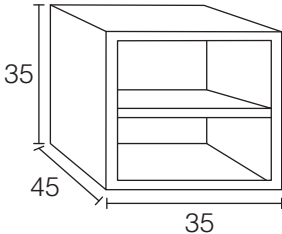


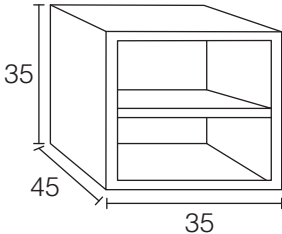


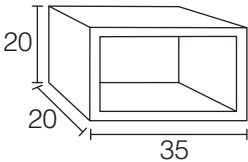
A

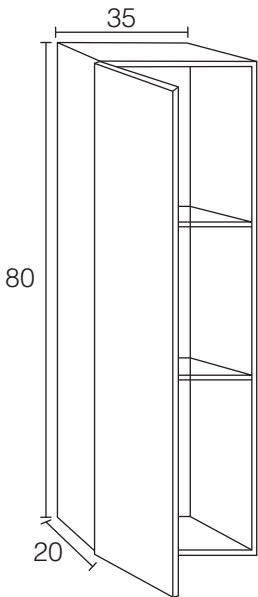
A 80 100

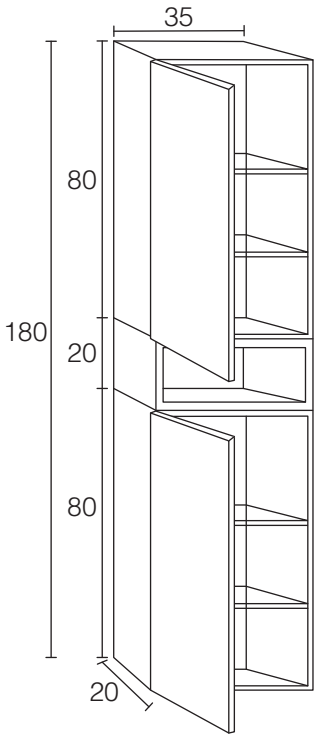


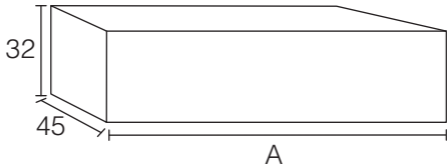




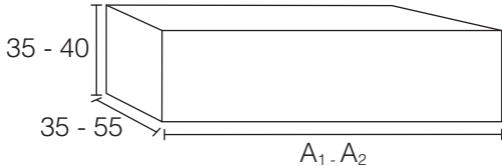






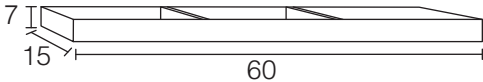


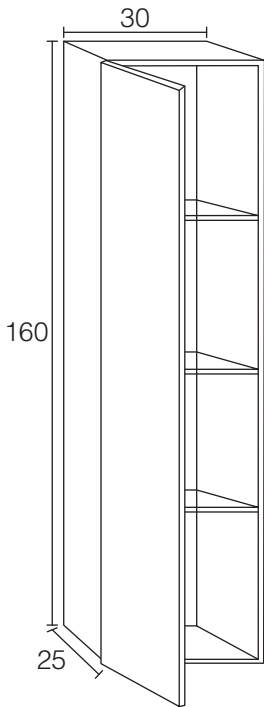
A	60	80	100	120
---	----	----	-----	-----

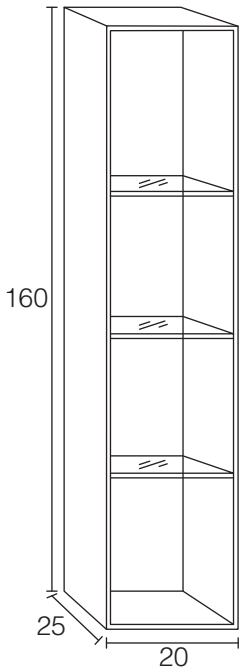


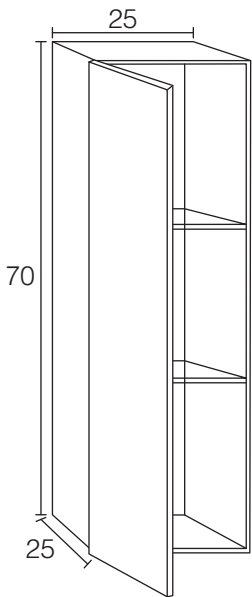
A_1	50 - 80
A_2	80 - 140

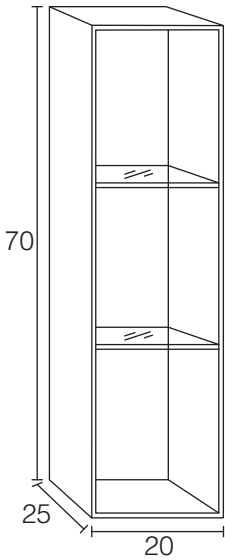


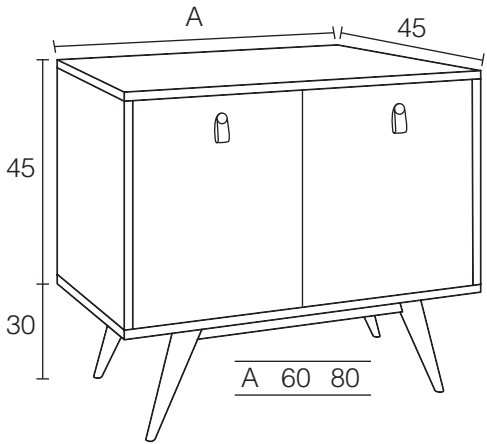


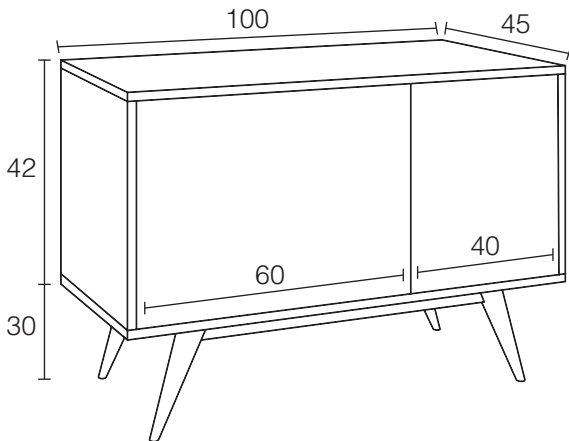


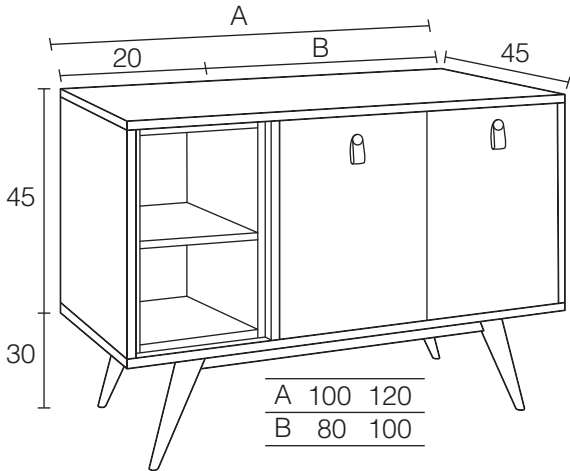


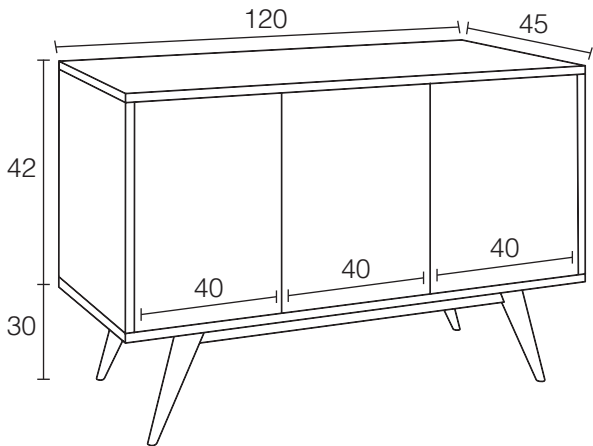


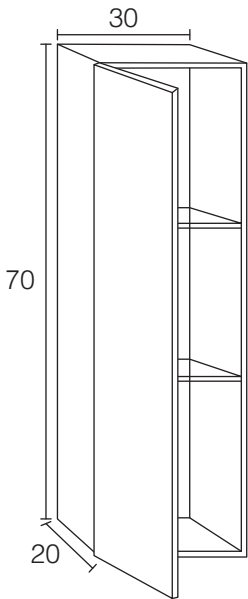


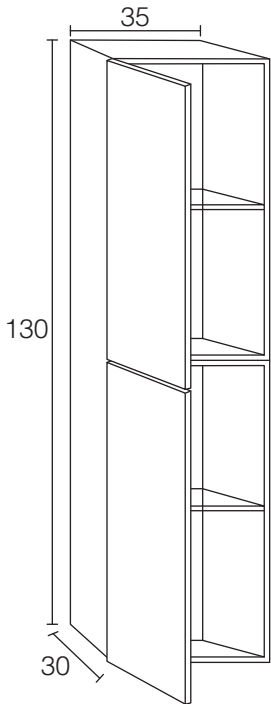


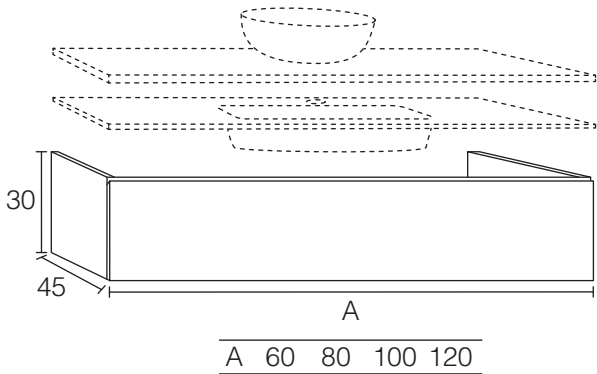


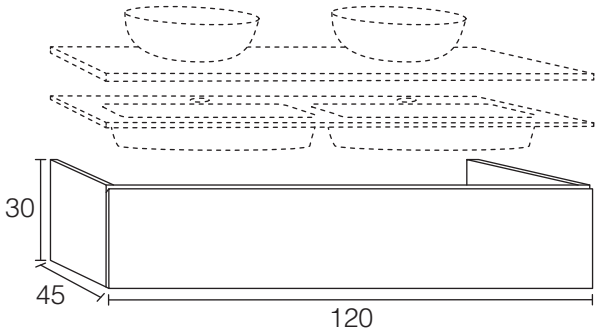


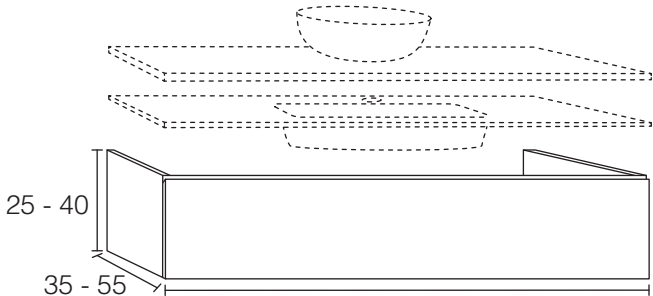










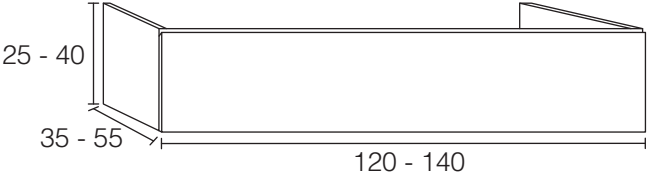
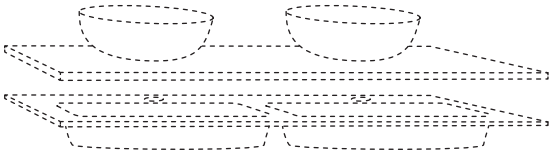


$A_1 - A_2$

A_1 50 - 80

A_2 80 - 140

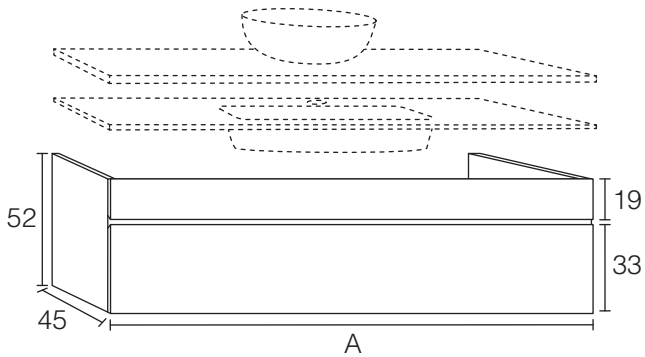




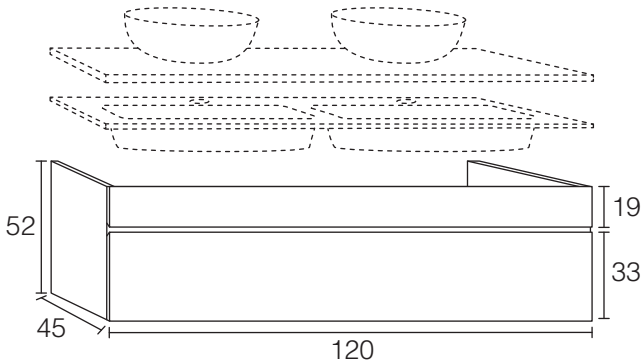
25 - 40

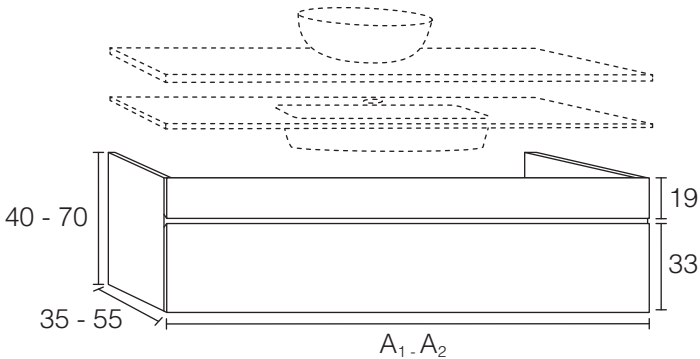
35 - 55

120 - 140



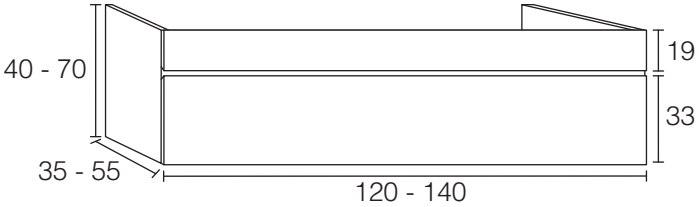
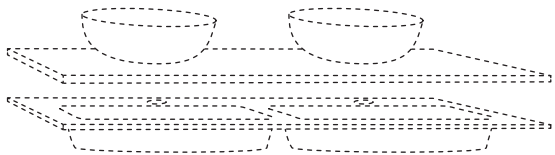
A	60	80	100	120
---	----	----	-----	-----





A_1	50 - 80
A_2	80 - 140





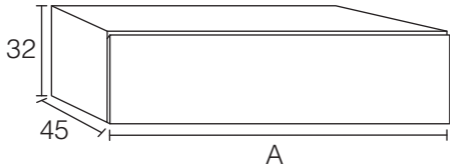
40 - 70

35 - 55

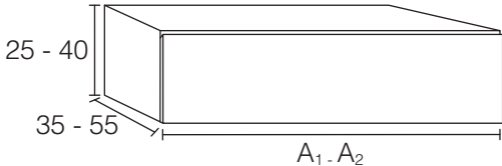
120 - 140

19

33

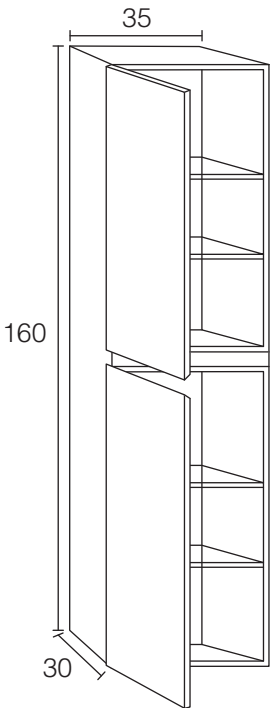


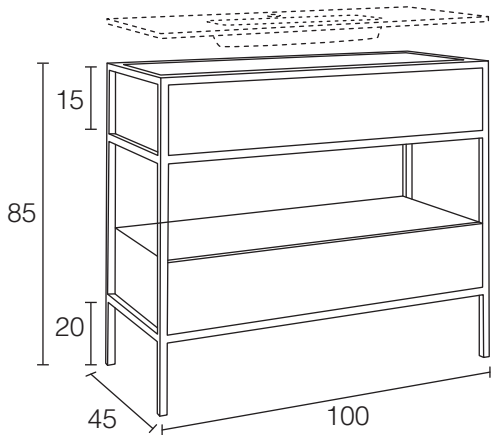
- | | | | | |
|---|----|----|-----|-----|
| A | 60 | 80 | 100 | 120 |
|---|----|----|-----|-----|

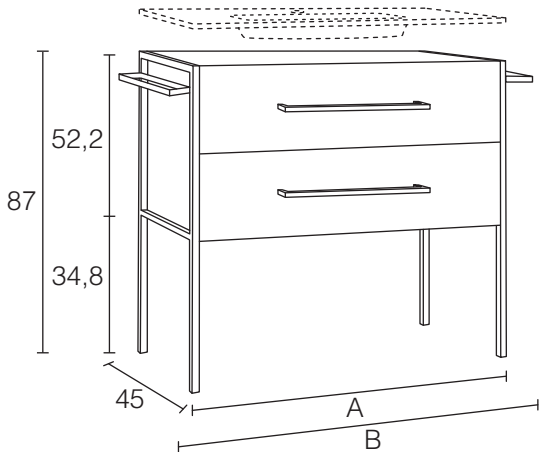


A_1	50 - 80
A_2	80 - 140

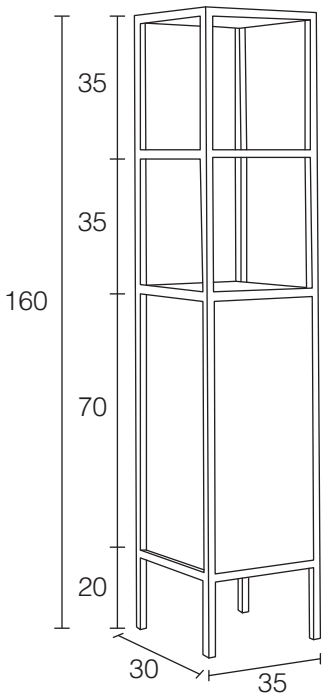


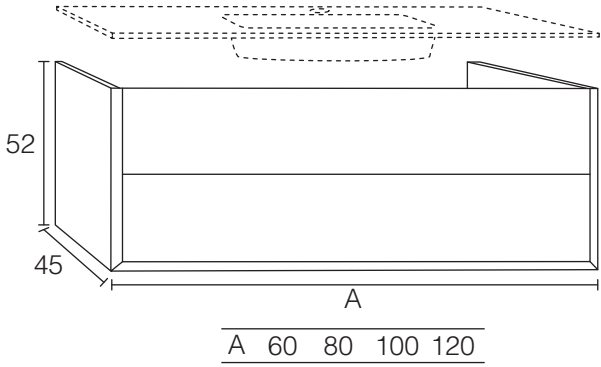


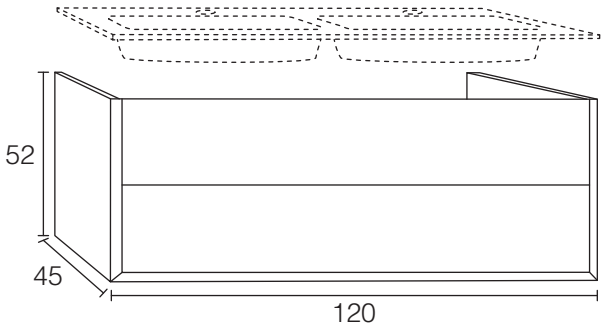


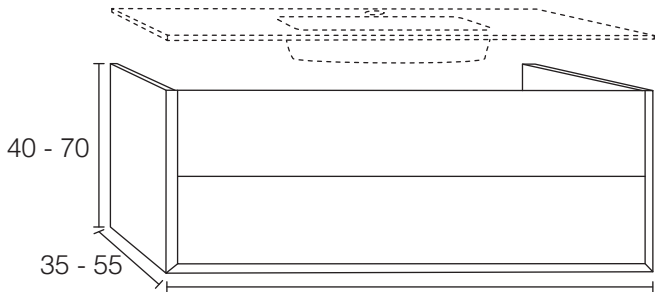


A	60	80	100	120
B	68	88	108	128







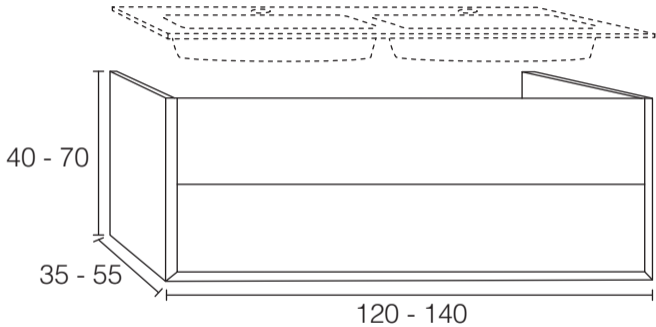


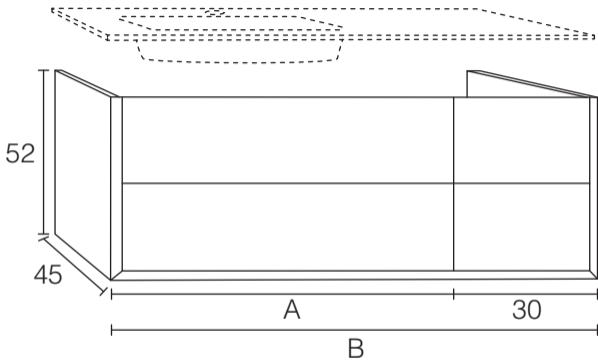
$A_1 - A_2$

A_1 50 - 80

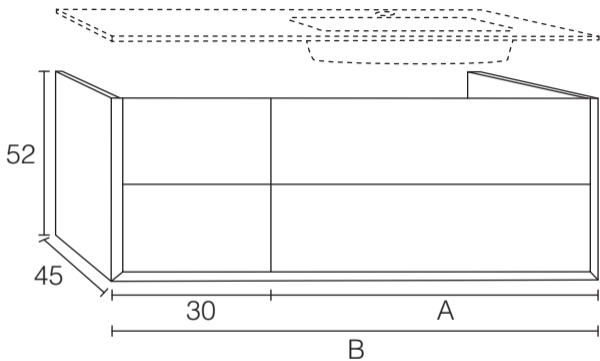
A_2 80 - 140



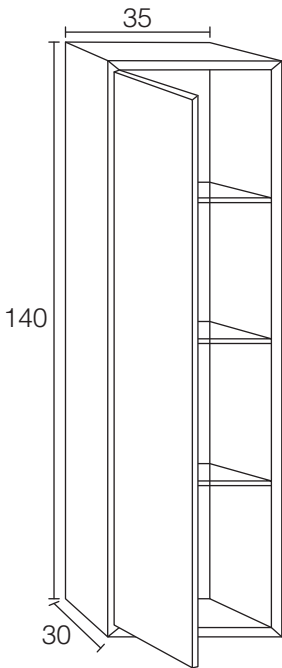


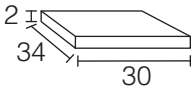


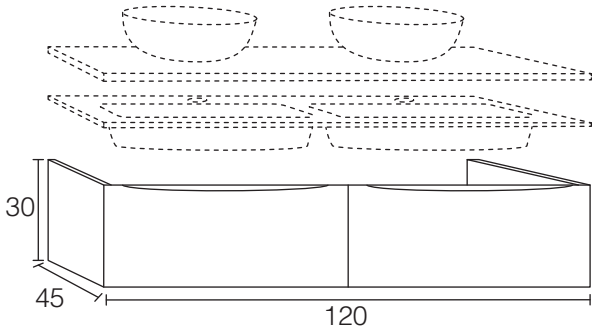
A	60	90
B	90	120

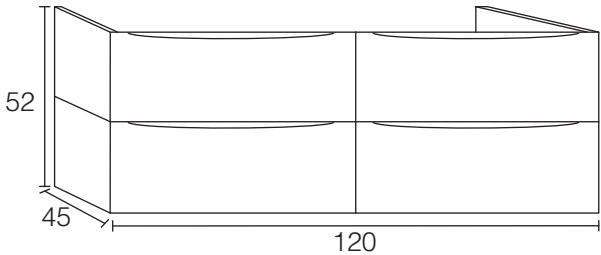
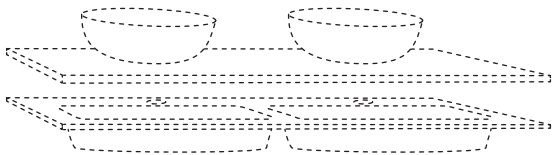


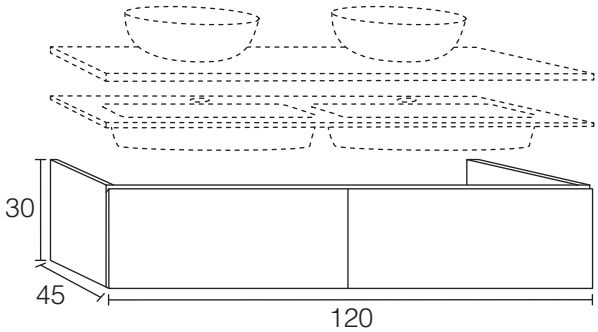
A	60	90
B	90	120

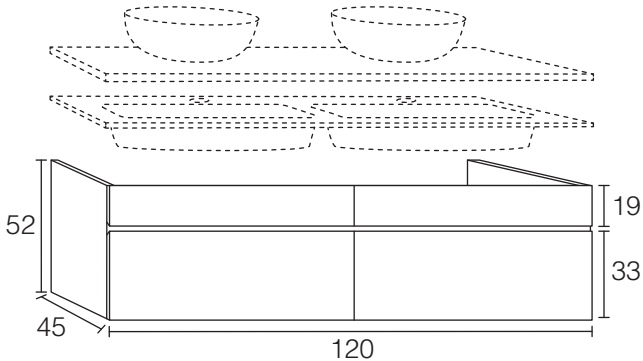


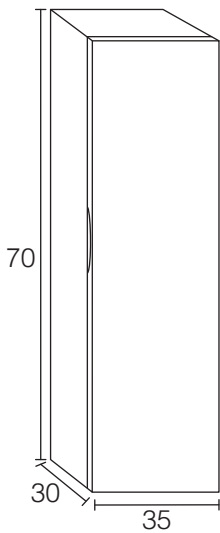








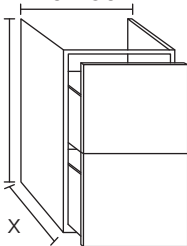






20 - 50

40-70

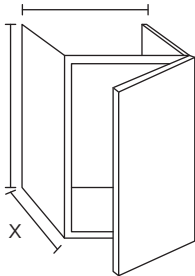


X

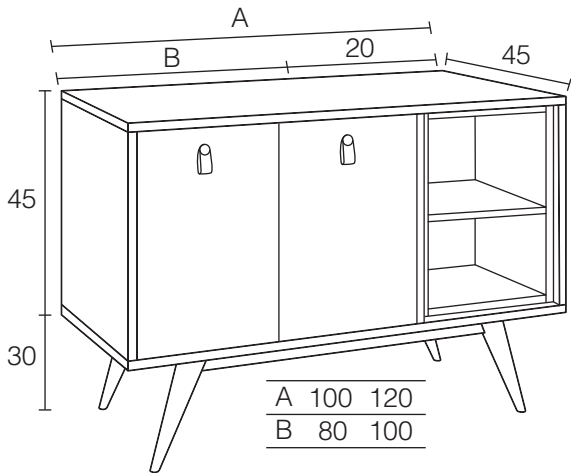


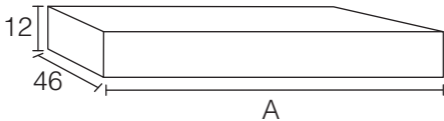
20 - 50

40-70

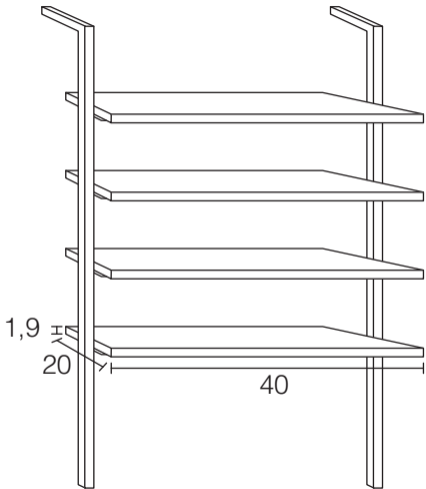


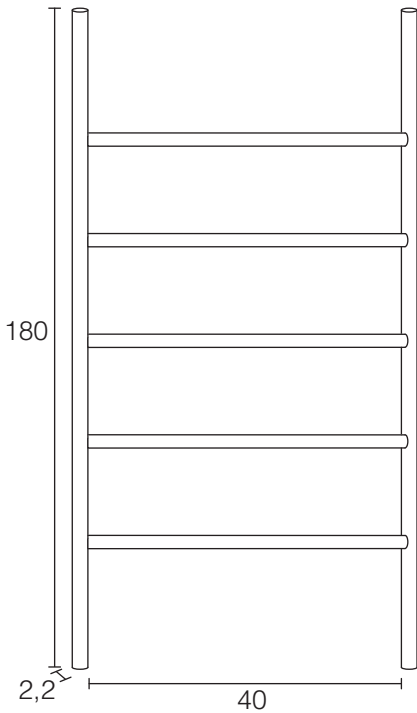
X

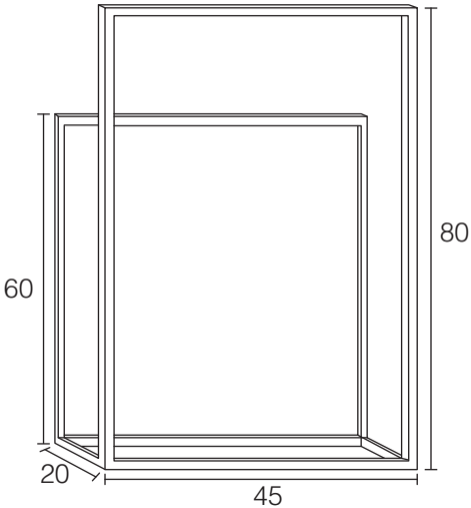


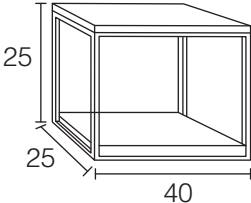


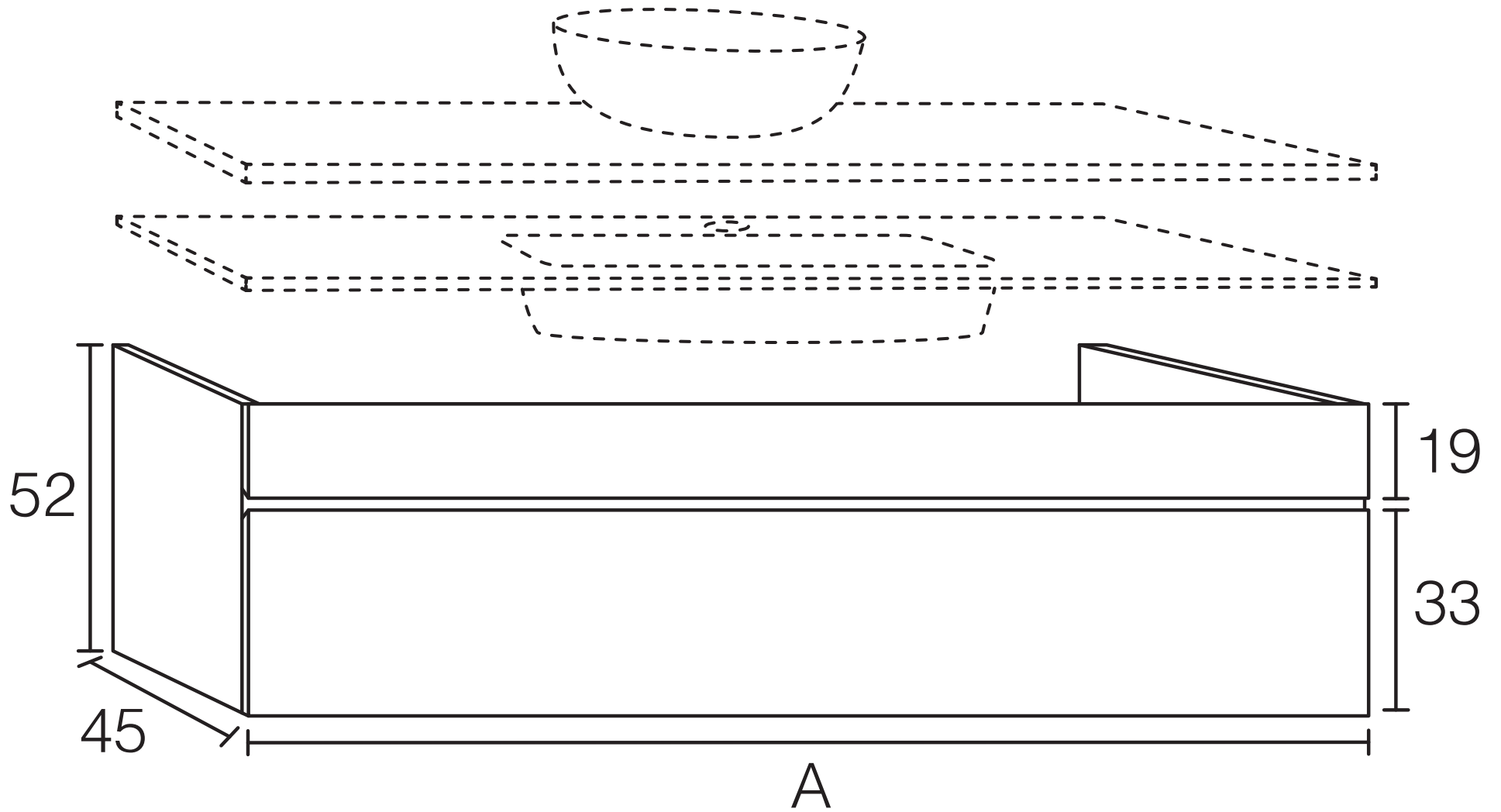
A	60	80	100	120	140
---	----	----	-----	-----	-----











A	60	80	100	120
---	----	----	-----	-----

